

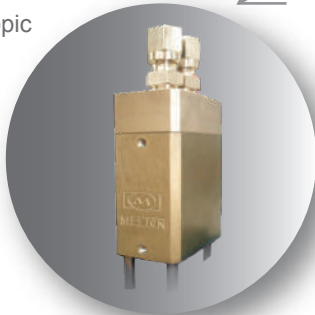
MEB SERIES

Adjustable Edgebanding Slot Gun

Valco Melton's MEB Gun Series Coating Applicator improves obsolete, previously existing roller systems with a new and advanced engineering technology that reduces costs and allows for easy configuration. For intermittent and several application widths, the MEB hot melt guns bring the most reliable solution for wood sealing and adhesive dispensing to the market.

- Up to 90 mm of application coating width
- Suitable for a range of hot melt reactive adhesives such as PUR and EVA
- 100% Easily configurable

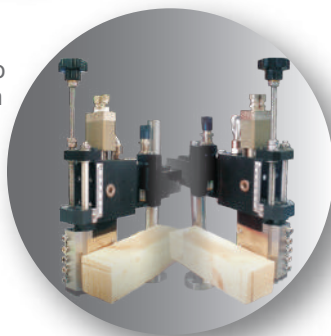
Module uses advanced telescopic technology for a precise cut off



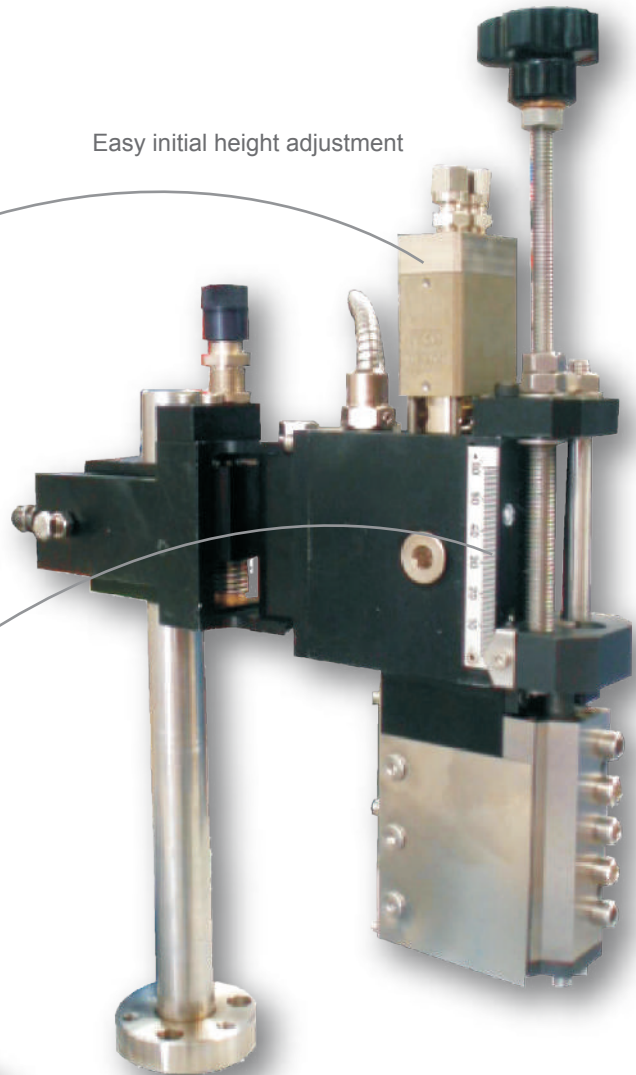
Manual regulation for adjustment of the coating width, up to 90 mm



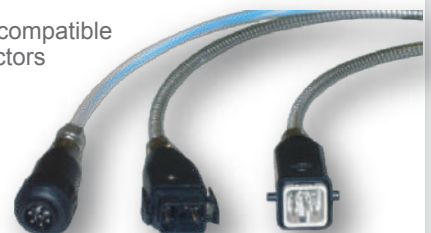
Dual orientation to ensure production versatility

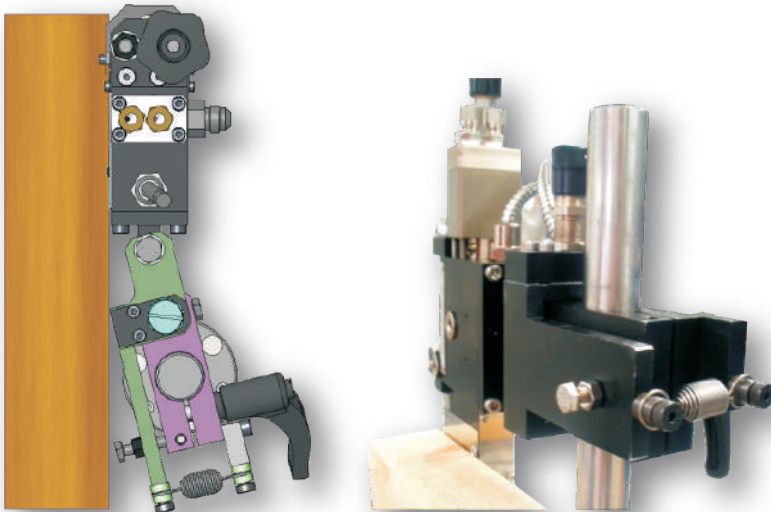


Easy initial height adjustment



100% compatible connectors





Valco Melton's range of application products offer a complete selection of hot melt components and support:

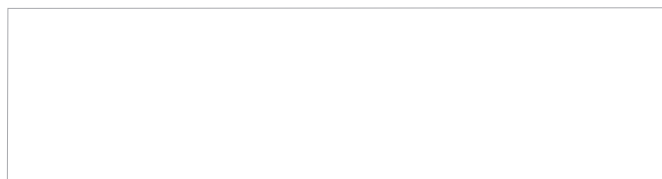
- RTD hot melt hoses
- Manual and automatic dispensing valves
- Nozzle and applicator styles
- Mounting bracket packages
- Solid-state pattern control systems
- In-line filters
- Replacement parts for competitive systems

For high quality adhesive applications and the sealing of wood edges, Valco Melton's MEB Coating Gun Series brings the latest in technology by offering increased strength with a new spring system to resist high wood impact during the application process. The innovative design provides maximum flexibility in movement and resistance to deterioration from edgework.



Technical Specifications

MEB Series Characteristics	
Max. Operating Temperature	240°C / 464°F
Max. Operating Hydraulic Pressure	100 bar/ 1450 psi
Max. Operating Cycle Rate	150 cycles per minute
Operating Air Pressure	4-6 bar/ 58-87 psi
Electric Supply	190-250 VAC 50/60 Hz
Max. Application Width	90 mm



For more information, visit valcomelton.com or contact your local Valco Melton representative.

World Headquarters: USA, Cincinnati, Ohio (Corporate Offices) • Tel:+1.513.874.6550 • Fax: +1.513.874.3612

Europe Headquarters: Spain, Navarra • Tel:+34.948.321.580 • Fax:+34.948.326.584

Asia Headquarters: China, Xiamen, Fujian • Tel:+86.592.591.7854 • Fax:+86.592.591.7834

info@valcomelton.com • Serving over 76 Countries Worldwide • valcomelton.com