



# THE COREWINDER

## Auto Flow Control, Adhesive Dispensing System, Brackets & More

### Learn How to Reduce Glue Consumption Today.

The CoreWinding System from Valco Melton can bring instant return on investment to nearly any adhesive application with up to 30%+ for 2-ply and 80%+ for single-ply cores. Each system features a valve applicator, valve lift and bracket, Automatic Flow Control, and an adjustable stand.

- Run faster without glue slinging
- No messy cleanup
- Includes a mechanical web guide with integrated paper tension device
- For spiral-wound cores of all sizes
- Single and multi-ply cores
- System is completely enclosed, eliminating contamination and minimizing clean-up

#### Automatic Flow Control

- Encoder-based system
- Glue pressure changes in proportion to changes in machine speed
- Glue application will not start until a predetermined minimum speed is reached

#### Adhesive Supply System

- Electronically reversing pump eliminates stalling, reduces maintenance and significantly increases pump life
- Pumping systems available for individual machines or as complete central adhesive supply systems

#### Valve Applicator

- Comes standard with a hardened stainless steel applicator or optional ceramic applicator for excellent wear resistance and a longer life
- Pattern widths are easily changed for any paper width



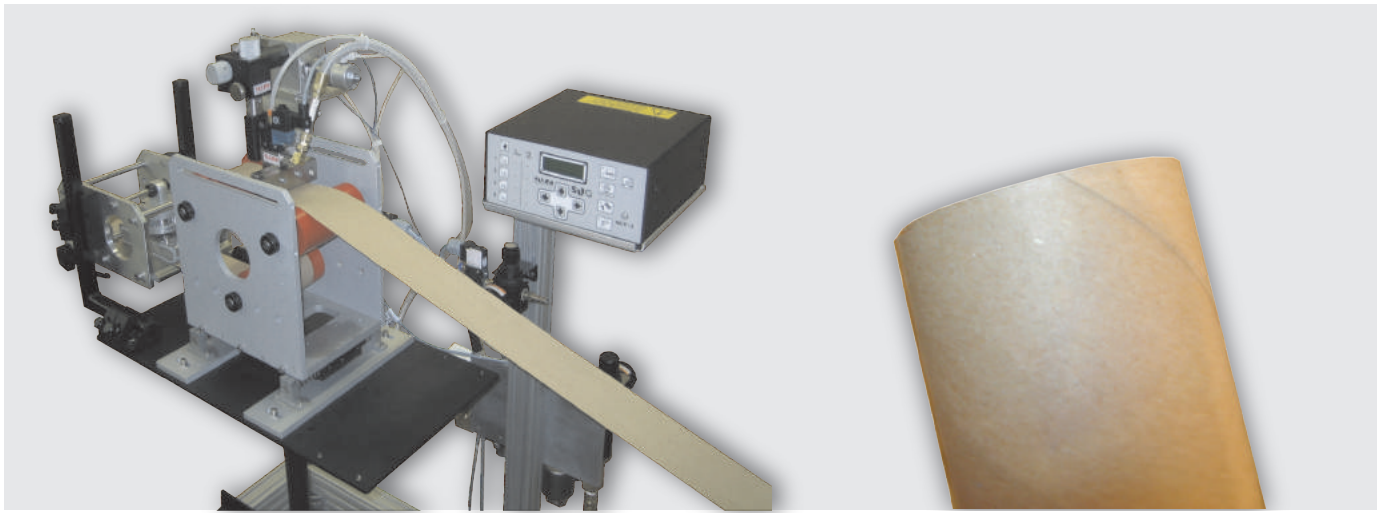
**Micro-Adjust Rigid Bracket Assembly for Precision Coating**

#### Valve Lift & Bracket

- Rotary actuator lifts applicator head off of product when machine stops
- Micro-adjust bracket allows for precise adhesive placement and quick and easy set-up

**Hardened Steel Rollers**

**Web Guide & Brake**



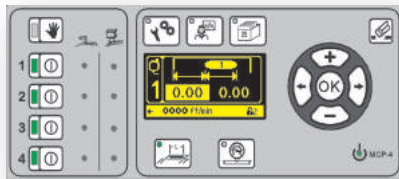
## Corewinder Options

### Optional: OILER SYSTEM

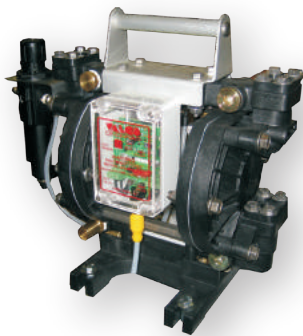
Sprays oil/lubricant onto the surface of the paper to keep mandrel cool

### Optional: WARMING HOSE SYSTEM

Ensures consistent adhesive viscosity regardless of ambient temperature conditions for more consistent adhesive application and less variability.



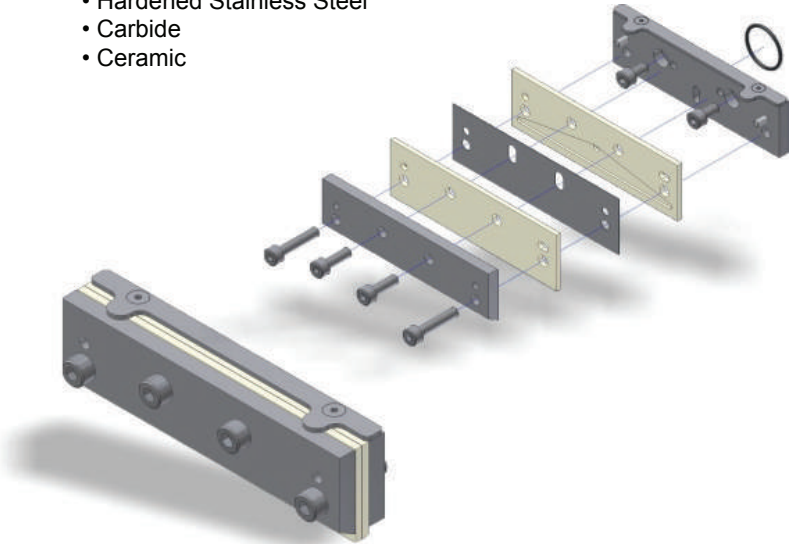
The MCP-4C is a low-cost fully-featured electronic control



DD-1 Diaphragm Pump  
High pressure pumping systems also available

### Coating Head Options

- Hardened Stainless Steel
- Carbide
- Ceramic



For more information, visit <http://hub.am/l1DfqI> or contact your local Valco Melton representative.  
 World Headquarters: USA, Cincinnati, Ohio (Corporate Offices) • Tel: 513.874.6550 • Fax: 513.874.3612  
 European Headquarters: Spain, Navarra • Tel: +34.948.321.580 • Fax: +34.948.326.584  
 Asian Headquarters: China, Xiamen, Fujian • Tel: +86.592.591.7854 • Fax: +86.592.591.7834  
[info@valcomelton.com](mailto:info@valcomelton.com) • Serving Over 76 Countries Worldwide • [valcomelton.com](http://valcomelton.com)