

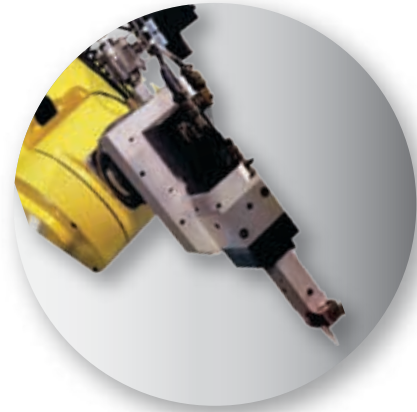


ROTARY METERING SYSTEMS

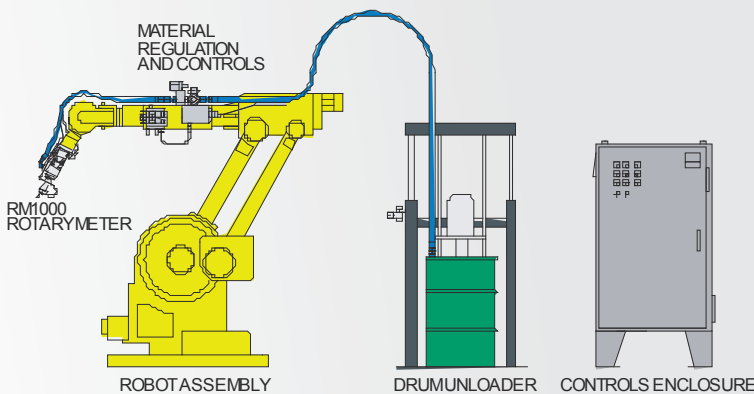
High-Precision from Fluid Kinetics

Discover the alternative to pressure-fed dispensing systems. Valco Melton's rotary metering systems offer significant advantages over conventional systems, from simplicity of design and ease of maintenance to advanced motor and logic controls. Based on innovative positive displacement metering technology, Valco Melton's Fluid Kinetics rotary meter is the best choice for continuous, precise application of high-viscosity adhesives and sealants. Key points:

- Precise volumetric control, repeatability within $\pm 2\%$
- Modular design, adaptable to existing automation
- Servo-motor-driven, complete with controller package
- Positive-displacement gear pump at point of application eliminates need for expensive temperature conditioning for typical fluids
- Designed specifically for automated dispensing of body and paint sealers/adhesives
- Extrusion, streaming, and swirl patterns available
- Subplate-mounted for two-minute meter change-out, interchanged meters require no setup/calibration
- Interfaces with existing programmable logic controllers and data highways
- Ambient or heated systems available



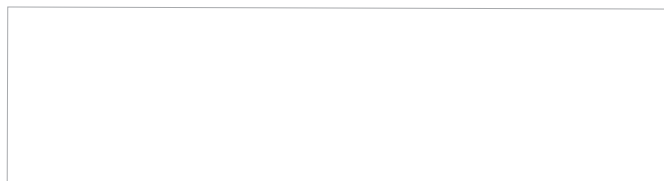
Fluid Kinetics RM1000 rotary metering head on the wrist of a six-axis articulated arm robot



RM1000 ROTARY METERING SYSTEM

The **RM Series** is designed for robotic applications that demand precise control of dispensed materials and can be programmed to apply a uniform bead of material along a complex path at varying speeds, or a variable-diameter bead at a constant speed.

Fluid Kinetics also introduces panel view technology as an optional upgrade to standard controllers. This technology gives customers the ability to collect and display vital process control data - real time or buffered via a backlit LCD panel. The panel-view option also allows information interfacing with robots, programmable logic, controllers, and system networks.



For more information, visit <http://valcomelton.com> or contact your local Valco Melton representative.
 World Headquarters: USA, Cincinnati, Ohio (Corporate Offices) • Tel: 513.874.6550 • Fax: 513.874.3612
 European Headquarters: Spain, Navarra • Tel: +34.948.321.580 • Fax: +34.948.326.584
 Asian Headquarters: China, Xiamen, Fujian • Tel: +86.592.591.7854 • Fax: +86.592.591.7834
info@valcomelton.com • Serving Over 76 Countries Worldwide • valcomelton.com